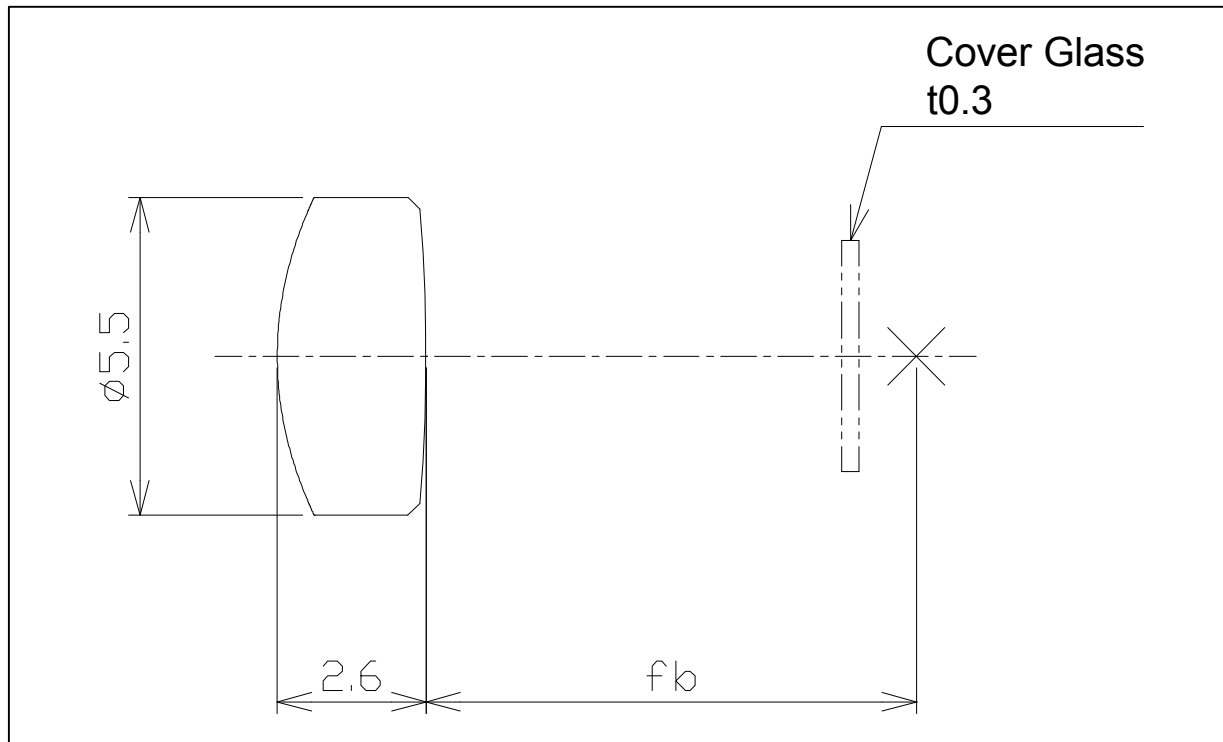


N.A. 0.24 f 10



Collimator Lens : KML0101

## Design Specification

Wave Length (nm)	830	780	680	640	633
Focal Length (mm)	10	10	9.95	9.95	9.92
fb (mm)	8.64	8.62	8.57	8.55	8.55
Wave Front Error $\lambda$ rms	0.002	0.002	0.003	0.003	0.004
Chrom.Ab. ( $\mu$ m/nm)	0.34	0.38	0.51	0.6	0.61
Cover Glass	0.3mm n=1.51				
N.A.	0.24				
Image Height (mm)	0.14				
Transmittance	>97% *2				

- Note.
1. Tolerance of WFE is T.B.D.  
Example 0.065  $\lambda$  rms, 0.035  $\lambda$  rms available.
  2. Transmittance is T.B.D. 97% available